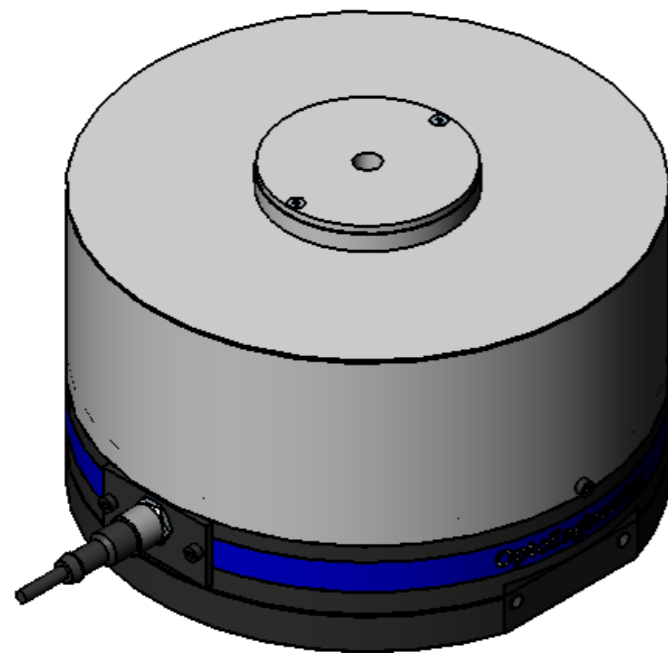
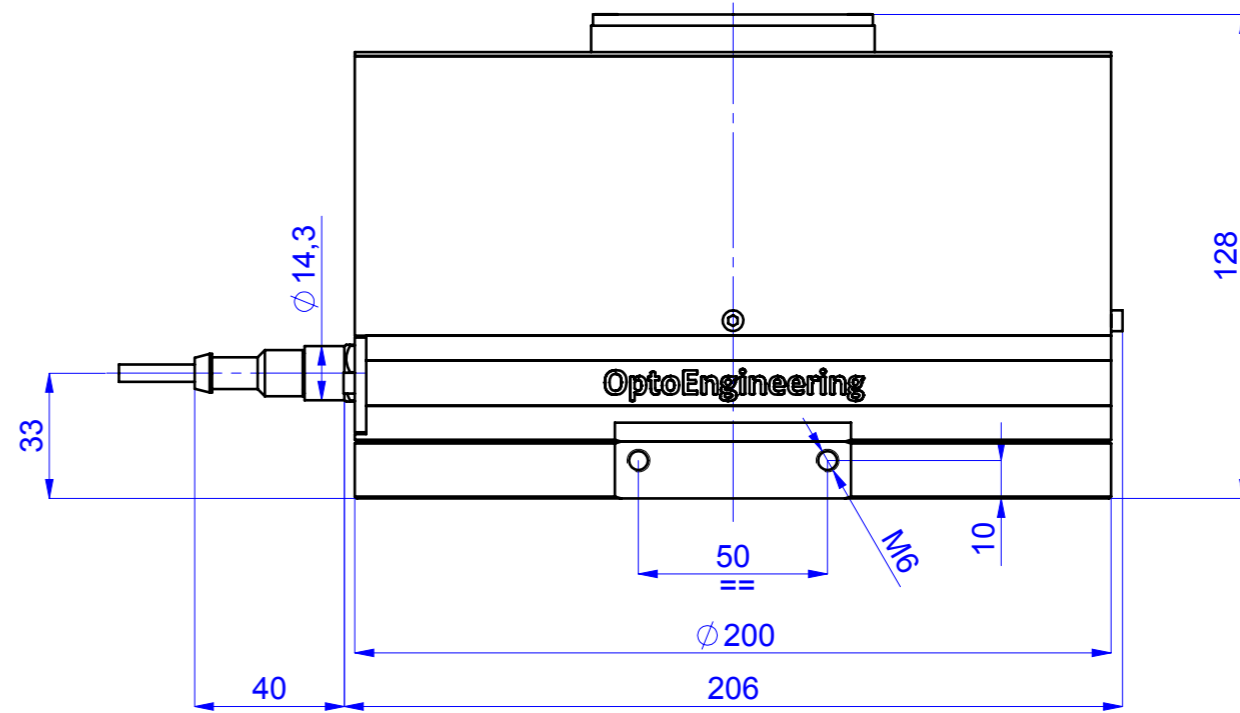
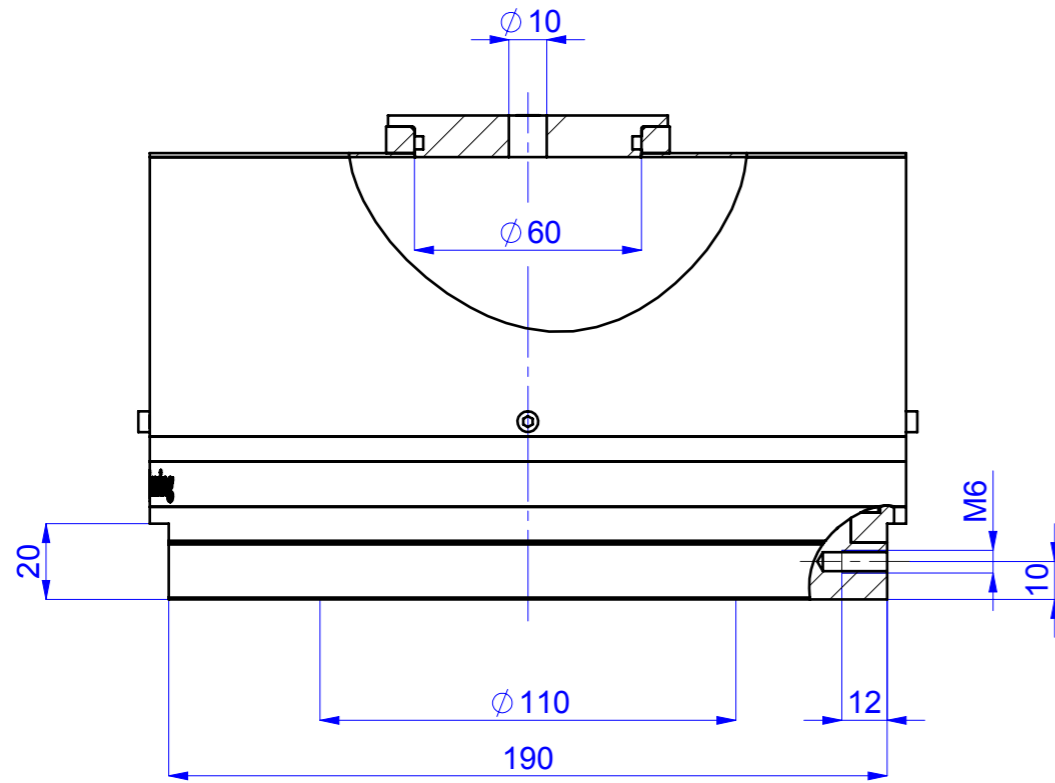





1 2 3 4 5 6 7 8

Rev No.	Description	Date	Name



Material	N.A.	Mass	23 kg	Scale	1:2
Surface treatment	N.A.	Part No.	-	Description	
Geometrical tolerance (ISO 2768-2)		Class	K	Undimensioned bevels	0.5x45°
Linear tolerance (ISO 2768-2)		Class	m	Undimensioned radii	R 0.5
0.5 ±3	>3± 6	>6± 30	>30± 120	>120 ±400	>400± 1000
>1000 ±2000	>2000 ±4000	>4000 ±1.2	>2000 ±2	Description	
all dimensions are in mm		Date	Name	Drawing No.	Sheet
		Designed	23/06/2014	-	-
		Drawn	23/06/2014	-	-
		Checked	23/06/2014	-	-
<b>OPTO ENGINEERING S.r.l. - Mantova Italy - Tel. +39 0376 699111 - www.opto-engineering.com</b>		Date: 23/06/2014 Name: - Drawing No.: 1055-0034A Sheet: 2/2		Secret and confidential - All rights reserved - No copy, dissemination or circulation is allowed unless specifically authorized in writing by OPTO ENGINEERING S.r.l. - Any violation shall be legally prosecuted.	

1 2 3 4 5 6 7 8

0 1 2 3 4 5 6 7 8 9 10